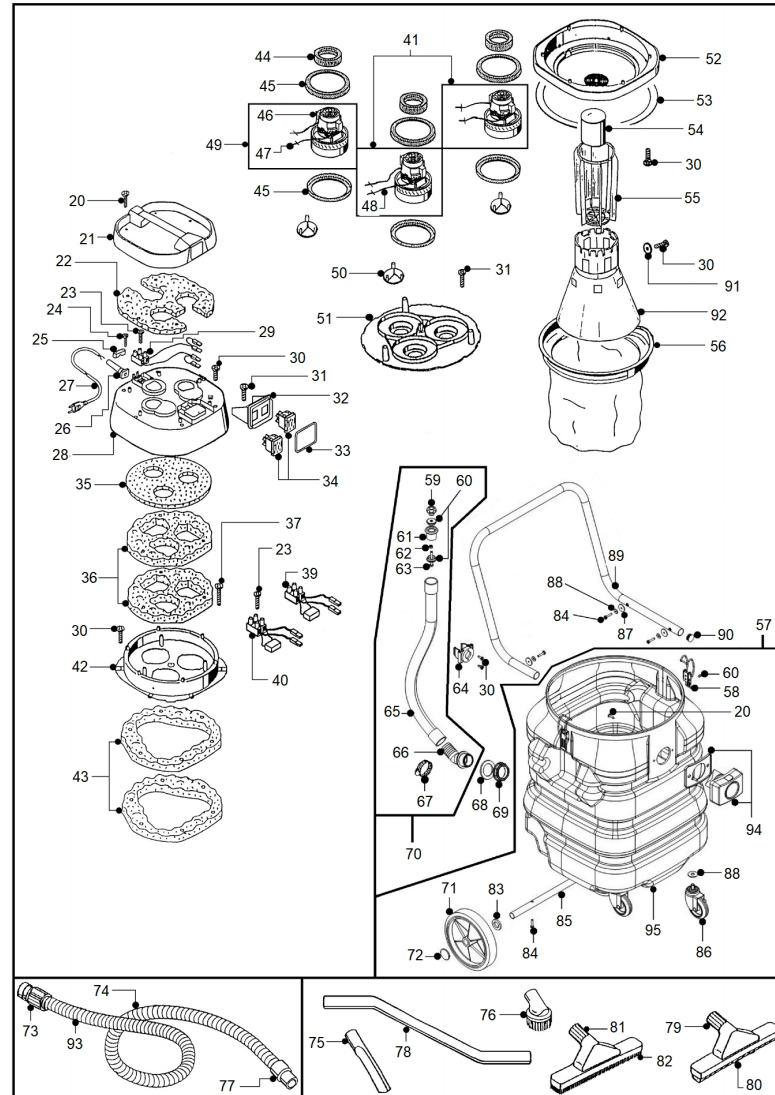




AS 60 PD SP




	Code	Description	Q.ty	Advisable	Note
20	2508591	SCREW TCC 5X22	8		
21	2209904	HANDLE AS58	1		
22	3000658	SOUND BAFFLE HANDLE	1		
23	2508500	SCREW TCC 3X20	3		
24	2508213	SCREW TC M3X16 PCS	2		
25	2001340	STRAIN RELIEF	1		
26	2502000	CABLE PROTECTION	1		
27	2507205	POWER SUPPLY CORD	1		
28	6003360	MOTOR COVER AS60	1		
29	6100218	BINDING-CLAMP FOR AS58/59/60 RED	1		
30	2508570	SCREW 5X16 SP	12		
31	2508560	SCREW TCC 5X13 SP	12		
32	2009250	ELECTRICAL BOARD AS10	1		
33	2502605	GASKET ELECTRICAL BOARD	1		
34	2506230	BLACK BIPOLAR SWITCH	2		
35	3000657	FIREFLEX HEAD COOLING	1		
36	3000652	SEPARATING FIREFLEX	2		
37	2508592	SCREW TCC 5X32	3		
39	6100200	OUTLET SOCKET W.CO	1		
40	6100202	TERMINAL BLOCK	1		


AS 60 PD SP

	Code	Description	Q.ty	Advisable	Note
41	4379701	MOTOR AS59 A40 230V	2		
42	2009350	AS60 MOTOR PLATE	1		
43	3000655	FOAM SOUND DEADENING FOR BASE	2		
44	2502518	GASKET WD100	3		
45	2502500	MOTOR GASKET WS1	6		
46	2505100	MOTOR	3		
47	2506378	MOTOR WIRING WS2	2		
48	2506387	WIRE SET MOTOR WS45	4		
49	4386001	A40 230V MOTOR GROUP	1		
50	2001360	VALVE WS45	3		
51	2009360	LOWER WASHER AS60	1		
52	2209804	MOTOR BASE PLASTIC	1		
53	2502410	BASE GASKET WS2	1		
54	6101100	FLOATER	1		
55	2000090	FLOATER CAGE	1		
56	6830000	TEXTILE FILTER	1		
57	3440001		1		
58	6100003	CLAMP FOR STEEL TANK	2		
59	35.0027.00	M6 KNOB	1		
60	2519510	BOTTON DRAIN PLUG	2		

AS 60 PD SP

	Code	Description	Q.ty	Advisable	Note
61	2519515	DRAIN PLUG BODY	1		
62	23.0019.00	NUT M6 A2 DIN934 (200-634-016)	1		
63	23.0114.00	TE SCREW M 6X50 A2 DIN 933	1		
64	30.0035.00	CLAMP	1		UP TO SN 077335 - 07-2019
65	2519555	FLEXIBLE HOSE D.28	1		
66	2519056		1		
67	2519091	HOSE CLAMP 25-45	1		
68	2502559		1		
69	2001402	GR.MARCHE KOMPACT 10 250V VORTECH	1		
70	6010307		1		
71	2510041	REAR WHEEL DIAM. 200 MM.	2		
72	2510031	STARLOCK CAPPED D.20	2		
73	2501190	M1 ABS CUFF DIAM. 40 MM.	1		
74	6010500	FLEXIBLE HOSE 2,5 M	1		
75	2511610	CREVICE TOOL	1		
76	2511615	ROUND BRUSH	1		
77	2511390	PVC CUFF DIAM.40 MM.	1		
78	2511600	SUCTION TUBE "S"	1		
79	6010011	SQUEEGEE TOOL	1		
80	2502255	RUBBER FOR SQUEEGEE	2		

AS 60 PD SP

	Code	Description	Q.ty	Advisable	Note
81	6010000	DRY FLOOR TOOL	1		
82	2502900	REFIL BRUSH TOOL	1		
83	50.0007.00	BLACK PLASTIC WASHER H=5	4		
84	200-070-391	CAP 20XF.18-17	6		
85	2504324		1		
86	2510093	CASTER WHEEL D.75	2		
87	3000232	RUBBER WASHER Ø12X4 SP2	4		
88	2509012	WASHER D.5.3X15X1.2 A2 DIN9021	4		
89	2504266		1		
90	2510066		2		
91	2509030	GALVANIZED WASHER D.6X24X1	1		
92	2000095	FILTER BASKET AS580	1		
93	2511030	FLEXIBLE HOSE D.38	1		
94	6000205	NYLON INTAKE D. 50 COMPL.	1		
95	2207128	RIP PROTECTION 25X5.25	1		UP TO SN 077335 - 07-2019
95	2207126	CANDIA 1000 CMP. FAIRING COVER	1		STARTING FROM SN 077336 - 07-2019
64	2519070		1		STARTING FROM SN 077336 - 07-2019