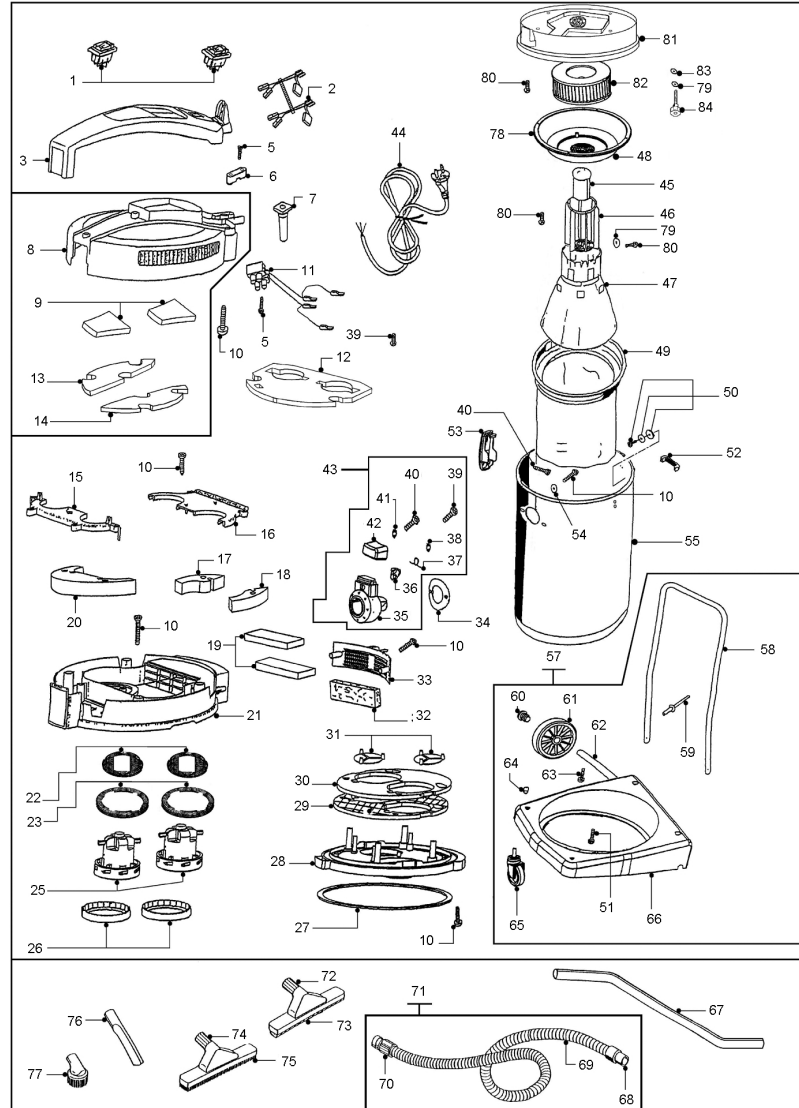




## POWER WD 80.2 P




POWER WD 80.2 P


	Code	Description	Q.ty	Advisable	Note
1	2506252	SWITCH SP9	2		
2	3005015	WIRED WIRE SET POWER WD 80	1		
3	2200924	2 SWITCHES HANDLE AS12 YELLOW WD	1		
5	2508500	SCREW TCC 3X20	3		
6	2001340	STRAIN RELIEF	1		
7	2502000	CABLE PROTECTION	1		
8	6480306	CAP GROUP AS 12 GREY WD+NOISE INSULATION	1		
9	3000110	AS12 FRONT FIREFLEX ADHESIVE COVER	2		
10	2508591	SCREW TCC 5X22	20		
11	6100259	TWO-POLES CLAMP FOR POWER AS12	1		
12	3000106	AS12 FIREFLEX MOTOR	1		
13	3000150	ADHESIVE CAP NOISE INSULATION LEFT AS 12 NEW	1		
14	3000151	ADHESIVE CAP NOISE INSULATION RIGHT AS 12 NEW	1		
15	2200950	FRONT COVER AS12 MOTOR BLACK	1		
16	2200955	BACK COVER AS12 MOTOR BLACK	1		
17	3000142	AS12 LEFT BACK FIREFLEX SEPARATOR	1		
18	3000107	AS12 RIGHT SEPARATING POSTER	1		
19	3000104	AS12 MOTOR DRAIN FIREFLEX STUDDED	2		
20	3000108	AS12 TOP FIREFLEX SEPARATOR	1		
21	2200969	SPACER YELLOW WD AS9	1		

POWER WD 80.2 P


	Code	Description	Q.ty	Advisable	Note
22	2502537	POWER LINE SUPERIOR MOTOR GASKET	2		
23	2502536	POWER LINE MOTOR GASKET	2		
25	2505122	MOTOR 1100W 230V 467.3.428	2		
26	2502539	POWER LINE INFERIOR MOTOR GASKET	2		
27	2502410	BASE GASKET WS2	1		
28	2200929	MOTOR BASEMENT AS12 YELLOW WD	1		
29	3000101	STUDDER AS12 FIREFLEX MOTOR BASEMENT	1		
30	3000102	AS12 FIREFLEX MOTOR BASEMENT	1		
31	2201362	DUOVAC VALVE 50 PP	2		
32	3000105	AS12 MOTOR DRAINING REAR FILTER	1		
33	2200939	REAR CAP AS12 GREY WD	1		
34	2502552	RUBBER SEAL	1		
35	2207786	FRONT INTAKE YELLOW WD DIS.9490	1		
36	2501174	INTAKE BUTTON AS7 BLACK DIS.9417	1		
37	2500929	SPRING FOR BIG INTAKE AS7	1		
38	2509030	GALVANIZED WASHER D.6X24X1	1		
39	2508570	SCREW 5X16 SP	1		
40	2508560	SCREW TCC 5X13 SP	5		
41	2509025	WASHER M6	1		
42	2207900	SUPERIOR IN TAKE COVER YELLOW WD.	1		

POWER WD 80.2 P

	Code	Description	Q.ty	Advisable	Note
43	6000229	FRONT IN TAKE YELLOW WD CMP	1		
44	2507205	POWER SUPPLY CORD	1		
45	RIC.6101106	COMPLETE FLOATING SYSTEM M7	1		
46	2000090	FLOATER CAGE	1		
47	2000095	FILTER BASKET AS580	1		
48	2203320		1		
49	6830000	TEXTILE FILTER	1		
50	6100199	SCREW- WASHERS AXLE 5X22 CP INOX	4		
51	2508590	SCREW TCC 5X22 SP	6		
52	2506350	WS2 NYLON HANDLE	2		
53	6100025		2		
54	2501146	NYLON WASHER	2		
55	2207020	TANK WS2 PP	1		
57	3584104	TROLLEY GROUP	1		
58	2504295	HANDLE	1		
59	2508830	RIVET 4,8X10	4		
60	855000250	CAP 20XF.18-17	2		
61	2510018	WHEEL WD400	2		
62	2504315	TUBULAR BAR FOR WHEEL	1		
63	2508592	SCREW TCC 5X32	2		

	Code	Description	Q.ty	Advisable	Note
64	2508780	FRONT CASTER NUT	2		
65	2510091	CASTER WHEEL WS2/M	2		
66	2207504	WHEEL TANK WS2/M	1		
67	2511600	SUCTION TUBE "S"	1		
68	2511390	PVC CUFF DIAM.40 MM.	1		
69	2511030	FLEXIBLE HOSE D.38	1		
70	2501190	M1 ABS CUFF DIAM. 40 MM.	1		
71	RIC.6010500	COMPLETE BLACK FLEXIBLE HOSE D.40 MT.2,5	1		
72	RIC.6010011	NYLON SQUEEGEE	1		
73	2502255	RUBBER FOR SQUEEGEE	2		
74	RIC.6010000	BRISTLE BRUSH	1		
75	2502900	REFIL BRUSH TOOL	1		
76	2511610	CREVICE TOOL	1		
77	2511615	ROUND BRUSH	1		
78	2525162		1		
79	200-317-003	WASHER 6X24X1,5 INOX A2 DIN9021	4		
80	2508571	SCREW SCW 5X16SP INOX A2	8		
81	6102210		1		
82	2512742		1		
83	3000231	WASHER RUBBER ANTI-OIL 26X5X2	1		

POWER WD 80.2 P

	Code	Description	Q.ty	Advisable	Note
84	2506322		1		