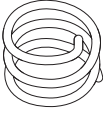
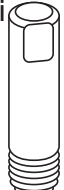
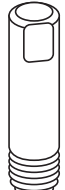


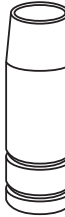




cod. 804137

CONTENTS/CONTENUTO

<p>804092</p>  <p>5pcs</p>	<p>804084 Fe-Ss Ø 0,6mm CuSi</p>  <p>5pcs</p>	<p>804085 Fe-Ss Ø 0,8mm CuSi</p>  <p>5pcs</p>	<p>804087 Al-Flux Ø 0,8mm</p>  <p>5pcs</p>	<p>742776</p>  <p>3pcs</p>	<p>804090</p>  <p>3 pcs</p>
---	--	--	---	---	--

Nr 5 springs for nozzles;
Nr 5 contact tips Fe-Ss, CuSi, 0,6 mm;
Nr 5 contact tips Fe-Ss, CuSi, 0,8 mm;
Nr 5 contact tips Al-Flux 0,8 mm;
Nr 3 conical nozzles;
Nr 3 gas diffusers.

Nr 5 molle per ugelli;
Nr 5 tubetti di contatto Fe-Ss, CuSi, 0,6 mm;
Nr 5 tubetti di contatto Fe-Ss, CuSi, 0,8 mm;
Nr 5 tubetti di contatto Al-Flux 0,8 mm;
Nr 3 ugelli conici;
Nr 3 diffusori gas.

MT15 Torch is for the models:

Torcia MT15 per i modelli:



MT15

- TELMIG 195/2, 200/2, 203/2, 250/2, 251/2
- MAXIMA 200, 230 SYNERGIC
- MASTERMIG 220/2, ELECTROMIG 220 SYNERGIC
- TECHNOMIG 180 EURO, 210, 215, 260 DUAL SYNERGIC
- TECHNOMIG 223 TREO, TECHNOMIG 243 WAVE

And for all models of other brands with compatible Binzel torches

E per tutti i modelli di altre marche con torce compatibili Binzel

