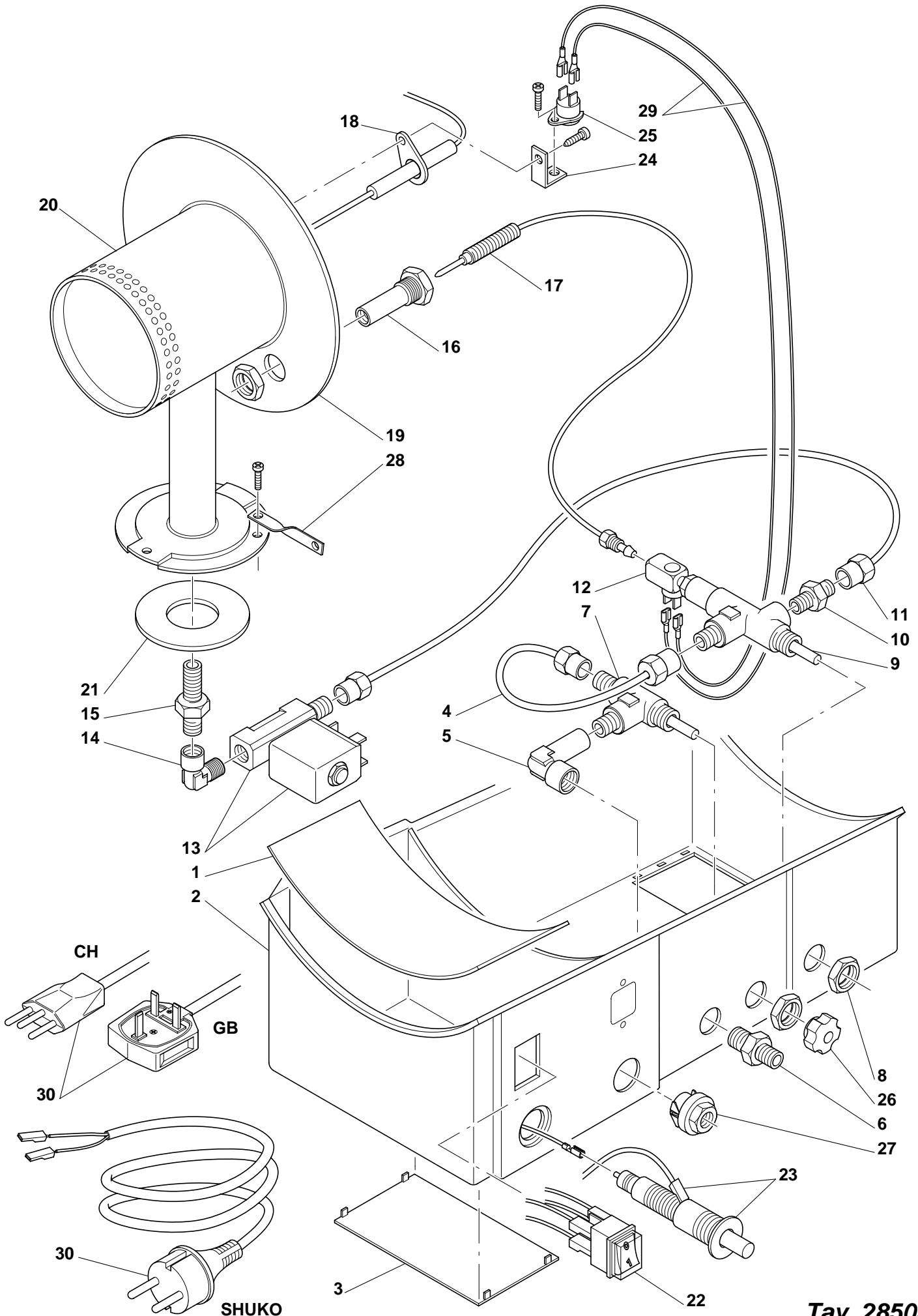


**ESPLOSO BASE COMPLETA / COMPLETE BASE SPARE PARTS / BASE
COMPLET PIECES DERECHARGE / VOLLSTANDIG GRUND ERSATZTEILE
BASE COMPLETA PIEZAS DE REPUESTO K2C- G 120 M - 250 M - 300 M**



**ESPLOSO BASE / BASE SPARE PARTS / BASE PIECES DERECHARGE / VOLLSTANDIG GRUND ERSATZTEILE
BASE PIEZAS DE REPUESTO K2C-G 120 M - 250 M - 300 M**

Tav. 2850539

Pos.	120	250	300	Italiano	English	Français	Deutsch	Español
1	2501884	2501884	2501884	SELLA SCATOLA COMANDI	BEARING SADDLE	SELLE BOITE COMMANDES	VERSCHLUß	BASE
2	2501584	2501584	2501584	SCATOLA COMANDI	SWITCH BOARD	SOCLE	GRUNDRAHMEN	CAJA
3	2501883	2501883	2501883	CHIUSURA COLLAUDO	TUCK OPENING	COUVERCLE VERIFICATION	AUSSCHALTUNG	CUBERTA
4	2500535	2500535	2500535	RICCIO RAME	PIPE	TUYAU	ROHR	RIZO DE BRONCE
5	2501969	2501969	2501969	CURVA 90° 1/8F 1/4F	90 DEGREE ELBOW	COUDE 90°	ANSCHLUßWINKEL 90°	CURVA
6	2503191	2503191	2503191	NIPPLO ENTRATA GAS	GAS INLET SOCKET	DOUILLE D'ENTREE DU GAZ	GASANSCHLUßNIPPEL	NIPLE
7	1680238	1680239	1680241	RUBINETTO	GAS SUPPLY TAP	ROBINET DE GAZ	GASHAHN	CIERRE DE GAS
8	0362235	0362235	0362235	GHIERA	RING NUT	MANCHON EN CUIVRE	NUTMUTTER	ANILLO
9	1680224	1680224	1680224	VALVOLA GAS	GAS VALVE	SOUPAPE GAZ	GASVENTIL	VALVULA DE GAS
10	0362337	0362337	0362337	NIPPLO	NIPPLE	RACCORD A "T"	NIPPEL	NIPLE
11	2500758	2500758	2500758	RICCIO RAME	PIPE	TUYAU	ROHR	RIZO DE BRONCE
12	1680077	1680077	1680077	RACCORDO INTERROTTTO	END FITTING	ACCESSOIRE D'EXTREMITE	THERMOELEMENTSCH.	RACOR
13	1680059	1680059	1680059	ELETTROVALVOLA	ELECTRO-VALVE	ELECTROVANNE	MAGNETVENTIL	ELECTROVÁLVULA
14	0362340	0362340	0362340	CURVA 90°	90 DEGREE ELBOW	COUDE 90°	ANSCHLUßWINKEL 90°	CURVA
15	1940115	1940113	1940139	UGELLO GAS	GAS NOZZLE	INJECTEUR DE GAZ	GASDÜSE	MANGUERA
16	2503135	2503135	2503135	BOCCOLA X TERMOCOPPIA	FERRULE FOR THERM.	DOUILLE POUR THERMOC.	BUCHSE FÜR THERMOEL.	ANILLO
17	0362232	0362232	0362232	TERMOCOPPIA	THERMOCOUPLE	THERMOCOUPLE	THERMOELEMENT KOMPL.	TERMOACOPLADOR
18	2501580	2501580	2501580	ELETTRODO D'ACCENSIONE	IGNITION ELECTRODE	ELECTRODE D'ALLUMAGE	ZÜNDELEKTRODE	ELECTRODO
19	2501173	2501173	2501173	DISCO DEFLETTORE	DEFLECTOR DISC	DISQUE DEFLECTEUR	ABWEISERSCHEIBE	PROTECCIÓN
20	1600073	1600073	1600073	BRUCIATORE	GAS BURNER	BRUILEUR GAZ	GASBRENNER	QUEMADOR
21	2502135	\	\	DISCO STROZZATURA	DISC	DISQUE	SCHEIBE	DISCO
22	0350600	0350600	0350600	INTERRUTTORE	SWITCH	INTERRUPTEUR	HAUPTSCHALTER	INTERRUPTOR
23	1600100	1600100	1600100	ACCENDITORE PIEZOELET.	PIEZO IGNITOR	ALLUMEUR PIEZO	PIEZOELEK. ANZÜNDER	PIEZOELÉCTRICO
24	2503232	2501178	2501178	STAFFA PORTA TERMOSTATO	PLATE	ETRIER PORTE-THERM.	FORMKASTEN	ESTRIBO
25	1500333	1500333	1500333	TERMOSTATO DI SICUREZZA	SAFETY THERMOSTAT	THERMOSTAT DE SECUR.	THERMOSCHALTER	TERMOSTATO DE SEGUR.
26	1900162	1900162	1900162	MANOPOLA	GRIP	POIGNÉE	GRIFF	MANGO
27	0350715	0350715	0350715	PRESSACAVO	CABLE RET.	PRESSE CABLE	KABEL ZUG.	PREME-CABLE
28	2502134	2502134	2502134	STAFFA ATTACCO TERRA	STIRRUP	ÉTRIER	STEIGBÜGEL	ESTRIBO
29	2200008	2200008	2200008	CAVO SILICONE TERMOSTATO	CABLE	CABLE	KABEL	CABLE
30	2200062	2200062	2200062	CAVO ALIMENTAZIONE SCHUKO	ELECTRIC CABLE	CABLE ELECTRIQUE	ELEKTROKABEL	CABLE ELÉCTRICO
	2200077	2200077	2200077	CAVO ALIMENTAZIONE UK	ELECTRIC CABLE	CABLE ELECTRIQUE	ELEKTROKABEL	CABLE ELÉCTRICO
	2200088	2200088	2200088	CAVO ALIMENTAZIONE CH	ELECTRIC CABLE	CABLE ELECTRIQUE	ELEKTROKABEL	CABLE ELÉCTRICO