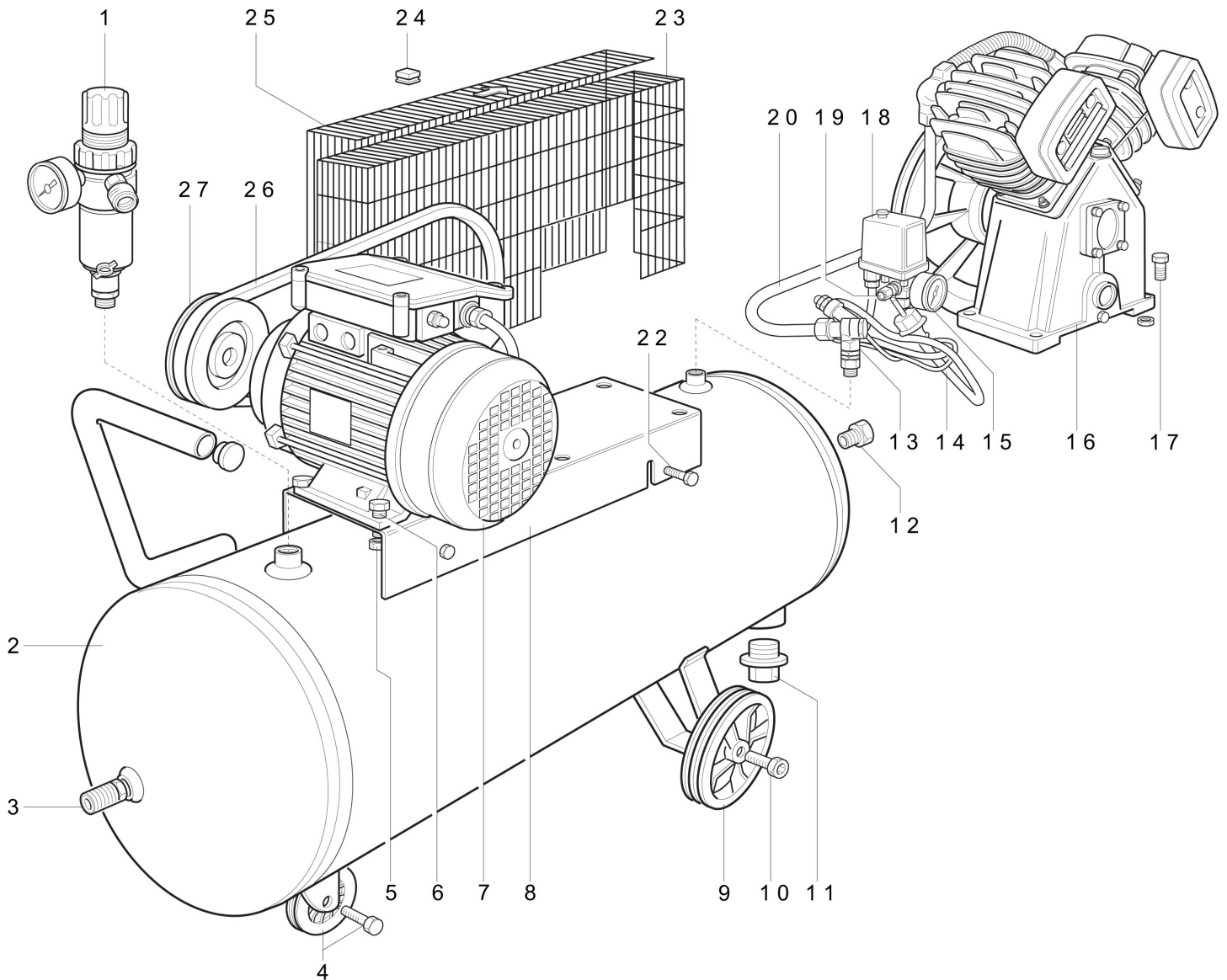


KP 150400 P

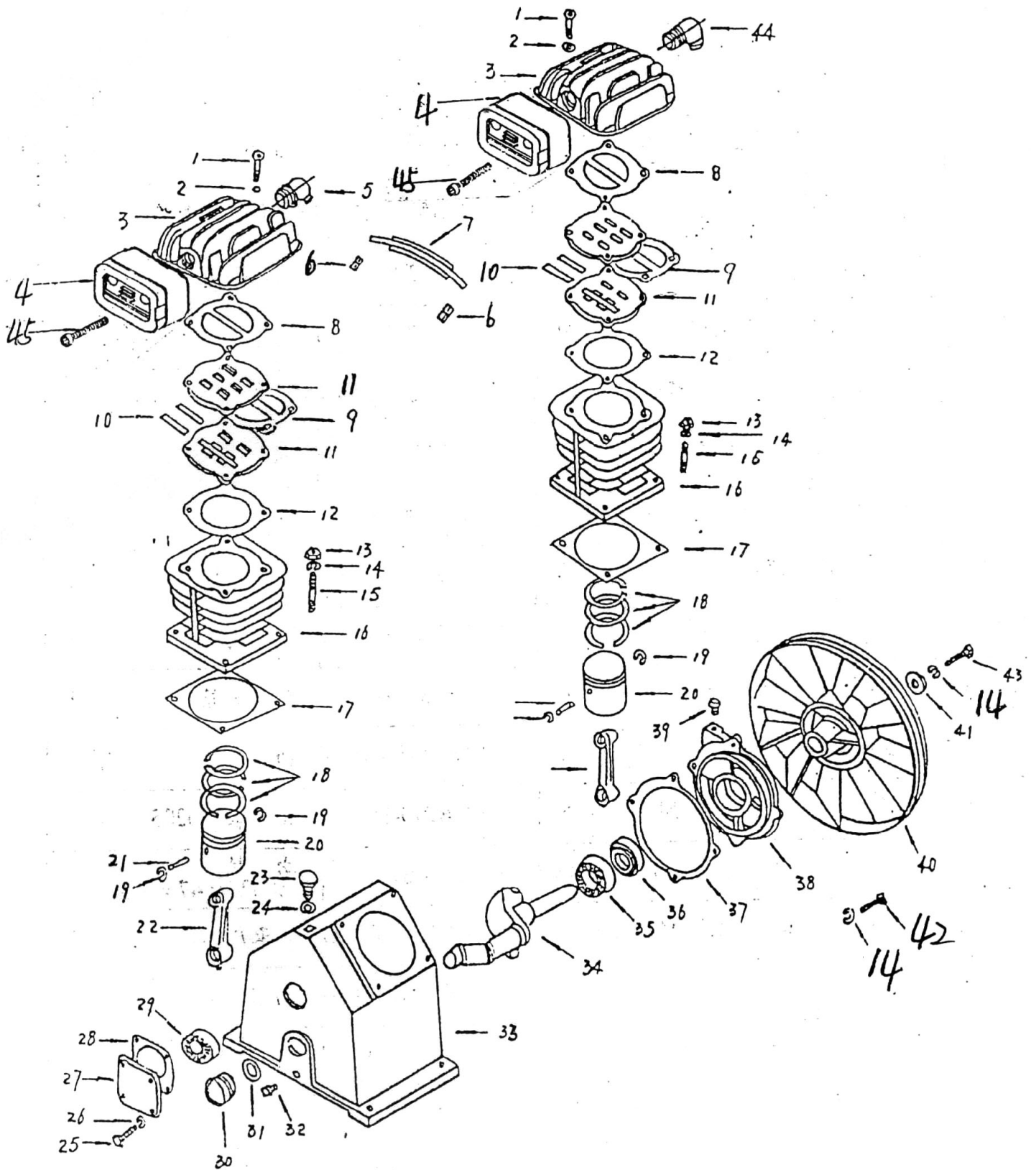
Onderdelentekening



KP 150400 P

Onderdelentekening

| Nr. | Code | Omschrijving | Description | Aantal |
|-----|-----------|--------------|---------------------|--------|
| 01 | 007301319 | | Pressure reducer | |
| 02 | 007308390 | | Tank | |
| 03 | 007301802 | | Coupler | |
| 04 | 007301235 | | Wheel | |
| 05 | 000640091 | | Nut | |
| 06 | 000030481 | | Screw | |
| 07 | 132101060 | | Motor | |
| 08 | 007308035 | | Pumping group plate | |
| 09 | 007301150 | | Wheel | |
| 10 | 000011221 | | Screw | |
| 11 | 007302003 | | Cock | |
| 12 | 007301171 | | Screw | |
| 13 | 007301170 | | Valve | |
| 14 | 007301032 | | Cable | |
| 15 | 007301177 | | Pressure Gauge | |
| 16 | 007375004 | | Head KKG400V | |
| 17 | 000030481 | | Screw | |
| 18 | 007301829 | | Pressure switch | |
| 19 | 007301922 | | Valve | |
| 20 | 007301113 | | Hose | |
| 22 | 000031151 | | Screw | |
| 23 | 007301977 | | Belt guard | |
| 24 | 007301326 | | Cap | |
| 25 | 007301976 | | Belt guard | |
| 26 | 001660387 | | Belt | |
| 27 | 001611403 | | Pulley | |



KP 150400 P

Onderdelentekening

| Nr. | Code | Omschrijving | Description | Aantal |
|-----|-----------|----------------------------|-------------|--------|
| 0 | 995660400 | KKG400 Pakking set | | 2 |
| 1 | 995660401 | KKG400 Bout M6x40 | | 8 |
| 2 | 995660402 | KKG400 veerring | | 12 |
| 3 | 995660403 | KKG400 Cilinderkopdeksel | | 2 |
| 4 | 566031240 | Filter lucht rechthoekig | | 2 |
| 5 | 995660405 | KKG400 T-stuk | | 1 |
| 6 | 995660406 | KKG400 sluitring | | 2 |
| 7 | 995660407 | KKG400 Koelbuis | | 1 |
| 8 | 995660408 | KKG400 Pakking | | 2 |
| 9 | 995660409 | KKG400 Pakking metaal | | 2 |
| 10 | 995660410 | KKG400 Klepje 11x57mm | | 4 |
| 11 | 995660411 | KKG400 klepplaat | | 2 |
| 12 | 995660412 | KKG400 Pakking | | 2 |
| 13 | 995660413 | KKG400 Nut-Hex M8 | | 8 |
| 14 | 995660414 | KKG400 veerring | | 5 |
| 15 | 995660415 | KKG400 draadeind | | 8 |
| 16 | 995660416 | KKG400 cilinder | | 2 |
| 17 | 995660417 | KKG400 voetpakking | | 2 |
| 18 | 995660418 | KKG400 Zuigerveren | | 2 |
| 19 | 995660419 | KKG400 pistonveerring | | 4 |
| 20 | 995660420 | KKG400 zuiger | | 2 |
| 21 | 995660421 | KKG400 pistonpen | | 4 |
| 22 | 995660422 | KKG400 drijfstang | | 2 |
| 23 | 995660423 | KKG400 vulplug | | 1 |
| 24 | 995660424 | KKG400 vulplug pakking | | 1 |
| 25 | 995660425 | KKG400 schroef M5x10 | | 2 |
| 26 | 995660426 | KKG400 pakking | | 8 |
| 27 | 995660427 | KKG400 achterplaat | | 1 |
| 28 | 995660428 | KKG400 pakking achterplaat | | 1 |
| 29 | 995660429 | KKG400 lager no 204 | | 1 |
| 30 | 995660430 | KKG400 Olieoog + Pakking | | 1 |
| 31 | 995660431 | KKG400 peilglas pakking | | 1 |
| 32 | 995660432 | KKG400 oil plug drain | | 1 |
| 33 | 995660433 | KKG400 carter | | 1 |
| 34 | 995660434 | KKG400 krukas | | 1 |
| 35 | 995660435 | KKG400 lager no 60205 | | 1 |
| 36 | 995660436 | KKG400 oil seal RD24x47x8 | | 1 |
| 37 | 995660437 | KKG400 pakking vliegwiel | | 1 |
| 38 | 995660438 | KKG400 voorplaat vliegwiel | | 1 |
| 39 | 995660439 | KKG400 ontluchtknop | | 1 |
| 40 | 995660440 | KKG400 vliegwiel | | 1 |
| 41 | 995660441 | KKG400 sluitring 35x8.5x3 | | 1 |
| 42 | 995660442 | KKG400 capscrew hex M8x20 | | 4 |
| 43 | 995660443 | KKG400 capscrew hex M8x35 | | 1 |
| 44 | 995660444 | KKG400 knie | | 1 |
| 45 | 995660445 | KKG400 bout M8x35 | | 4 |